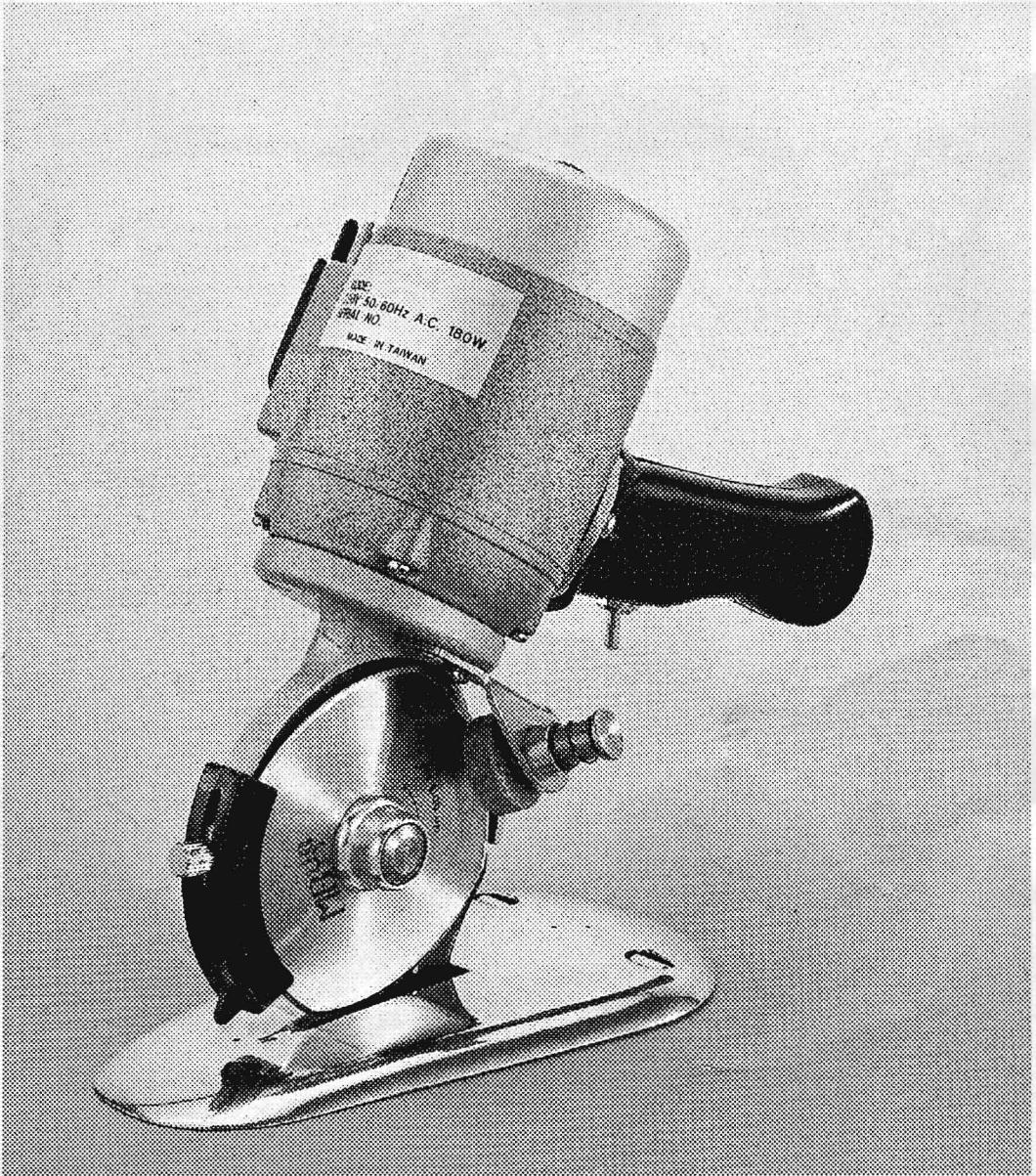


# OPERATING INSTRUCTIONS & PARTS LIST



## 4 $\frac{1}{4}$ "(110m/m)ROUND KNIFE CUTTER

Electric Power : 180W

Cutting Capacity : 32mm

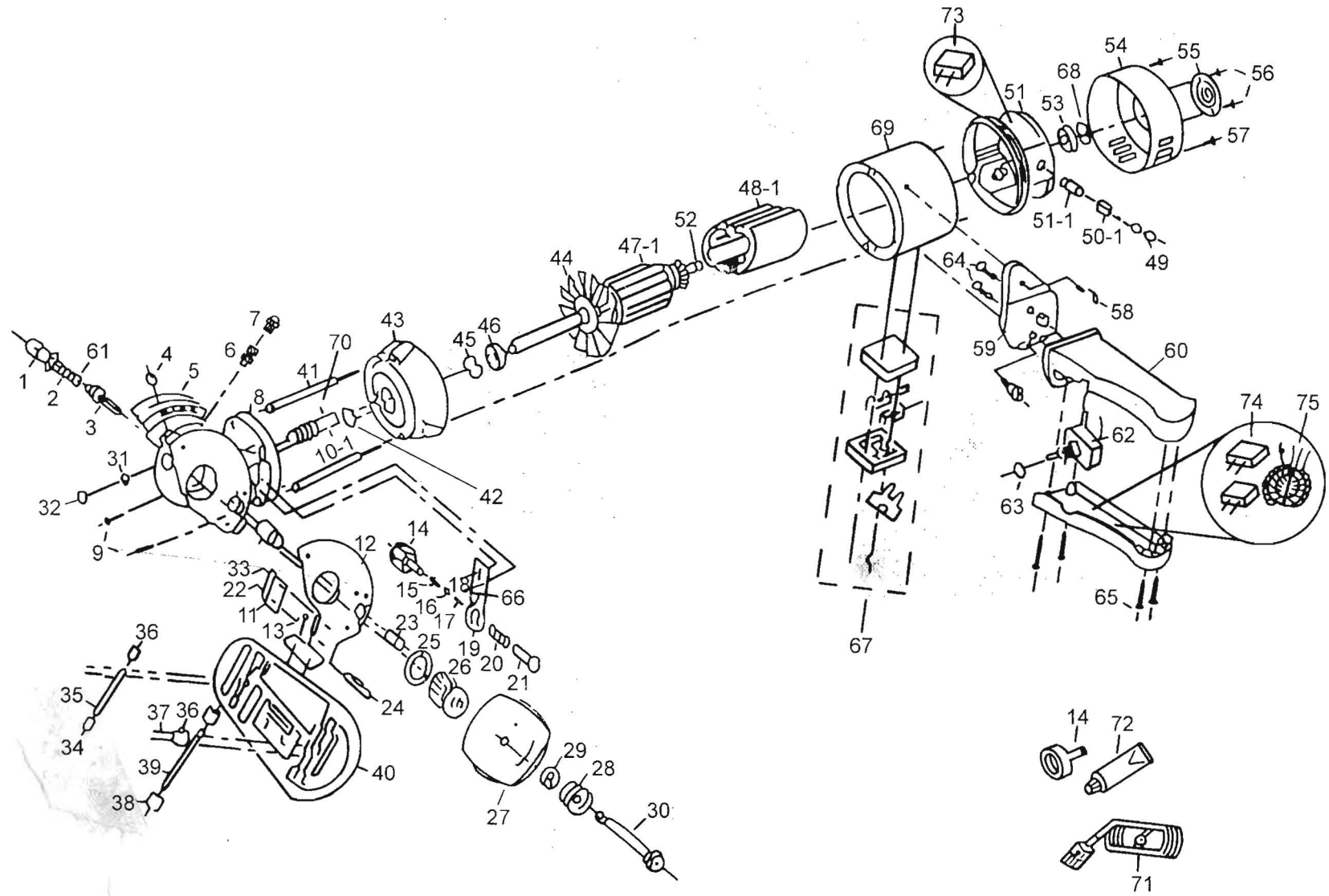
Net Weight : 3.5kgs

※ Before Use Read this instructions manul  
& Save This instruction manual.

From the library of: Superior Sewing Machine & Supply LLC



# PARTS ASSEMBLY & ACCESSORIES



PART NO.	PARTS NAME
1	Adjusting Nut For Blade
2	Spring
3	Shaft For Gear
4	Screw For Finger Guard
5	Finger Guard
6	Grease Cup
7	Cap For Grease Cup
8	Gear Box
9	Screw
10-1	Worm Gear
11	Guide Plate
12	Gear Box Fixed Base
13	Screw
14	Sharpening Stone
15	Lock Nut For Stone
16	Snap Ring (E3)
17	Spring
18	Screw
19	Sharpening Stone Bracket
20	Spring
21	Push Knob For Stone
22	Screw
23	Oil Felt
24	Counter Blade
25	Worm Gear Washer
26	Worm Gear
27	Blade
28	Lock Cover For Blade
29	Bearing
30	Screw For Blade
31	Bearing
32	Cap For Bearing
33	Oil Felt Tube
34	Rollers
35	Roller Shaft
36	Roller Shaft Fixed Plate
37	Screw
38	Rollers
39	Roller Shaft

PART NO.	PARTS NAME
40	Base Plate
41	Screw
42	Retaining Ring
43	Front Cover
44	Snap Ring
45	Wave Washer
46	Bearing
47-1	Rotor
48-1	Stator
49	Cap For Carbon Brush
50-1	Carbon Brush With Spring
51	Motor Cover
51-1	Carbon Brush Fixed Base
52	Snap Ring (E6)
53	Bearing
54	End Cover
55	Cap For Bearing
56	Screw
57	Screw
58	Screw
59	Handle Fixed Base
60	Handle
61	Nut For Switch
62	Switch
63	Nut For Switch
64	Screw
65	Screw
66	Screw
67	Plug
68	Wave Washer
69	Motor Cover
70	Screw For Worm Gear
71	Code Complete with Earth
72	Grease
※73	Capacitor
※74	Capacitor
※75	Inductor
76	Carbon Brush Fixed Base

※ CE MODELS ONLY

From the library of: Superior Sewing Machine & Supply LLC

# OPERATING INSTRUCTIONS, MAINTENANCE & SAFTY

Cutters are precision tools, made by master craftsmen.

In order to maintain this precision and the adjustments which are essential to satisfactory operation of your cutter, it is important to conscientiously follow these instructions.

## 1. In General

Handle cutter with great care. Do not drop it or handle it roughly as this will change its adjustments and may cause serious damage to the mechanism.

## 2. Prior to Starting the Cutting Operation

Firstly set the "ON/OFF" switch to the "off" position, connect the female plug of the electric cord with the machine terminal and then tighten the screw on the female plug. Now connect the male plug of the electric cord to the electrical outlet. Prior to starting the cutting operation remove any obstacles from the path of the base plate.

## 3. Cutting Operation

Do not force cutter through material. By nature of their texture and because of the properties of their fibers, not all materials can be cut with the same speed or ease. Trial cutting will readily let you find the best speed at which the machine is to be advanced through the material.

## 4. Sharpening The Blade

- 4-1 Connect the plug of the electric cord to the power supply.
- 4-2 Push the switch to start the machine
- 4-3 Pressing the Push Knob (#21) down for a few seconds so that the sharpening stone lightly touches and grinds the blade for several times.

## 5. How To Replace Blade

- 5-1 Make sure the electric cord is disconnected from the power source.
- 5-2 Turn the screw for finger guard (#4) and remove the finger guard (#5)
- 5-3 Remove the blade lock nut (#1) by turning it left, Take off Spring (#2), SCREW (#61,28,29,30)
- 5-4 Remove the blade (#27) and clean any dust or dirt from machine.
- 5-5 Replace the blade.

## 6. How to replace carbon brush

1. While the machine is unplugged, remove the two screw (#57) and pull the cover (#54) upward.
2. Remove the screwed cap (#49) over the carbon brush and replace the carbon brush (#50-1)
3. Put the cover (#54) back into its original position and tighten the screw.
4. Check right and left carbon brushes from time to time and always replace both right and left carbon brushes when worn out.

## 7. Lubrication and Maintenance

1. Turn the grease cup (#7) clockwise a little bit to inject the grease into the gear box.
2. Make sure to add grease supplied with the machine to the grease cup (#6) when the grease cup is screwed down to the bottom
3. Always keep the machine clean and free from remnants.

## 8. Maintenance and Inspection

- 8-1 Keep machine clean by removing all accumulations of lint, thread and cuttings from around the knife itself to clean away from behind it any accumulated foreign matter.
- 8-2 In addition, add grease to the grease cup monthly using the special grease that is supplied with the machine.
- 8-3 From time to time, check the right and left carbon brushes and replace when necessary.
- 8-4 It is recommended that the machine be turned off when not in use.
- 8-5 Never put your hands in front of the blade while operating.
- 8-6 Before doing any work on the machine, be sure to disconnect the machine from the electrical outlet.